



60Hz

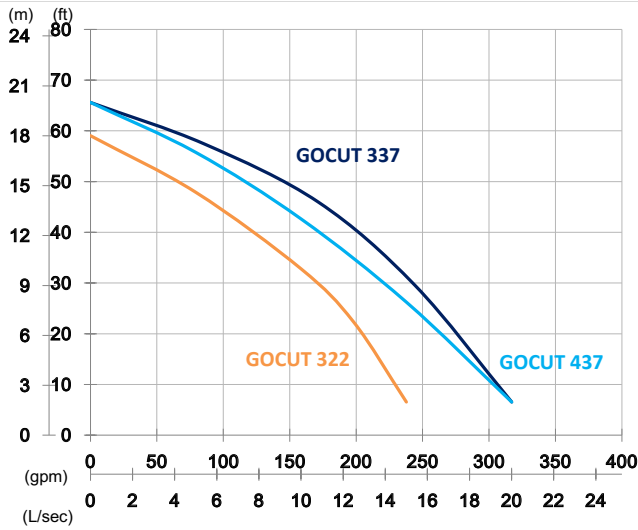
GOCUT Series, these cutter pumps are designed for handling raw sewage and for various wastewater treatments. The cutting mechanism consists of a chopper plate and a tungsten carbide alloy tipped onto each vane of the semi-open channel impeller. The device shreds fibrous materials into small pieces to prevent from clogging.

Sewage Pump

GOCUT 322/337/437

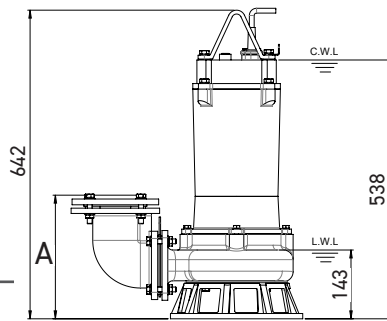
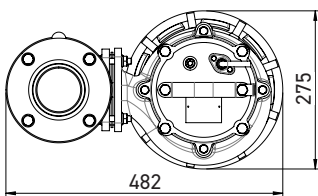
Cutter Pump





	GOCUT 322	GOCUT 337	GOCUT 437
OUTPUT	3 HP (2.2 kW)	5 HP (3.7 kW)	5 HP (3.7 kW)
OUTLET	3" (80 mm)	3" (80 mm)	4" (100 mm)
SOLID PASSAGE	1.1" (27 mm)	1.5" (37 mm)	1.5" (37 mm)
Weight	121 lbs/55 kg	132 lbs/60 kg	132 lbs/60 kg
HEAD	Rated: 33 ft, 10 m Max: 59 ft, 18 m	Rated: 46 ft, 14 m Max: 66 ft, 20 m	Rated: 43 ft, 13 m Max: 66 ft, 20 m
FLOW	Rated: 159 gpm, 10 L/s Max: 238 gpm, 15 L/s	Rated: 172 gpm, 10.8 L/s Max: 317 gpm, 20 L/s	Rated: 158 gpm, 10 L/s Max: 317 gpm, 20 L/s

Pump Type	Electric Submersible Pumps	
Motor	Phase	3-Phase
	Type	Induction Motor
	Poles	2 Pole (3450 rpm)
	Insulation	Class F
	Protector	Circle Thermal Protector
	Starter	D.O.L.
Lubricant	Food Grade (ISO VG32)	
Specs.	Impeller Type	Semi-Open Channel Cutter
	Shaft Seal	Double Mechanical Seal
		Silicon Carbide VS Ceramic/Carbon
	Bearings	C3 Shielded ball bearings
Cable	CSA-Certified PVC Jacketed Cables	
	33 ft (10 m) or longer upon request	
Materials	Pump Casing	Gray Iron
	Impeller	Gray Iron
	Motor Frame	Gray Iron
	Motor Shaft	Stainless Steel
Max. Liquid Temperature	40°C (104°F)	
Max. Submersion Depth	20 m (66 ft)	
pH Range	pH 5 - pH 8	
Guide Rail	GRF-03 (332/337)/GRF-04 (437)	



unit : mm

C.W.L : Continuous running water level

L.W.L : Lowest running water level

	A
GOCUT 322	257
GOCUT 337	257
GOCUT 437	268